

## ASSEMBLY INSTRUCTIONS

# CT Cart

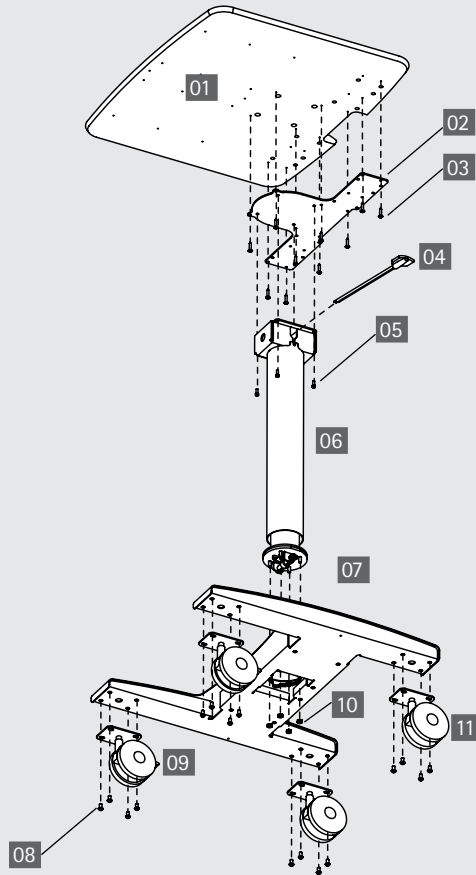


Product	Part#
CT Cart A - Light Load	CTAL27GM/xx4
CT Cart A - Heavy Load	CTAH27GM/xx4



Anthro Corporation® | 10450 SW Manhasset Dr. | Tualatin, OR 97062  
Toll-free: 800.325.3841 | Fax: 800.325.0045 | email: [sales@anthro.com](mailto:sales@anthro.com) | [anthro.com](http://anthro.com)  
Outside the U.S. | Tel: 503.691.2556 | Fax: 503.691.2409

October 2011



## WELCOME

Thank you for purchasing this CT Cart!

If you have any questions or if we can help you in any way, please contact us at 800.325.3841.

## TOOLS

CT Cart ships with all the tools necessary for assembly. Assembly will be easier, though, with a 7/16" nutdriver, socket, or wrench.

## NOTE

The column on the Light Load cart is balanced to lift 35-50 lbs. The column on the Heavy Load cart is balanced to lift 50-85 lbs.

## PARTS LIST

Before beginning assembly of your CT Cart, please review the parts list to verify that your shipment is complete.

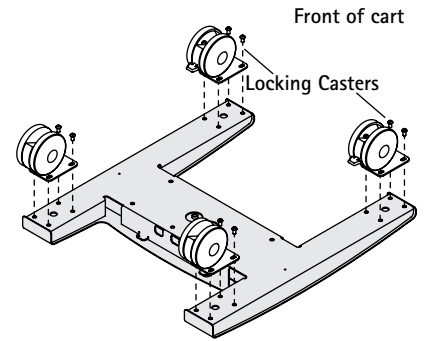
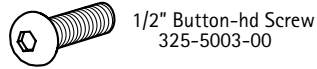
The fastener quantities listed are the minimum required for this assembly. Your shipment may contain a few extras.

Product	Quantity	Part Number
01 Top	1	101-1095-00-00
02 Top Plate	1	225-4524-00
03 1" Button-head Screw	10	325-5580-00
04 Lever/Handle	1	200-5072-00
05 3/8" Button-head Screw	4	325-5232-00
06 Column	1	
Light Load		835-5493-00
Heavy Load		835-54xx-00
07 Base	1	500-1082-00
08 1/2" Button-head Screw	16	325-5003-00
09 Locking Caster	2	150-5021-03
10 Nylock Nut	4	325-5259-00
11 Non-locking Caster	2	150-5020-03

## STEP 1

### Assemble the base

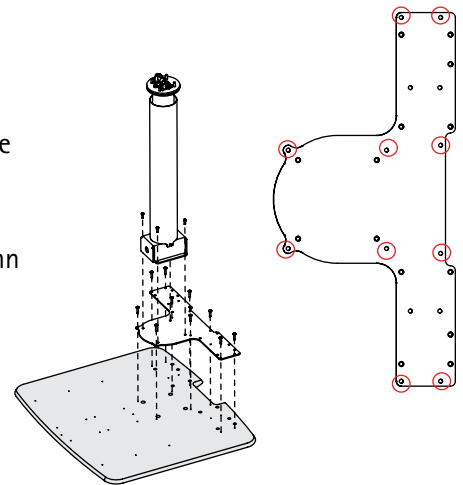
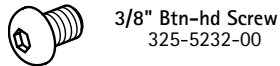
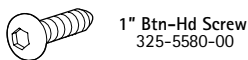
- Turn the base upside down on a non-marring surface. Align the casters with the base so that the casters with the locks are at the front of the cart. Using the Anthro driver, attach each caster with four 1/2" button-head screws.
- If your assembly includes a base shelf, install its bracket now.
- Set aside the base.



## STEP 2

### Attach the column to the top

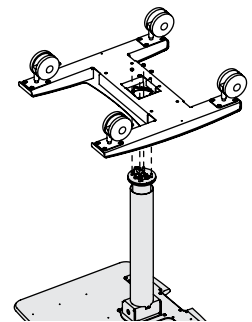
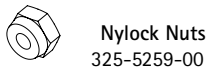
- Set the shelf upside down on a non-marring surface. Align the plate with the shelf so that the bumps on the plate rest into the holes on the shelf. Using the Anthro driver, attach the plate to the shelf with ten 1" Button-head Screws through the holes indicated.
- Align the column with the plate so that the four holes on the top of the column line up with four holes on the plate and the lever opening (the label is next to the opening) on the column faces the side of the cart, not the front or back. Attach the column to the plate with four 3/8" Button-head Screws.



## STEP 3

### Attach the base to the cart

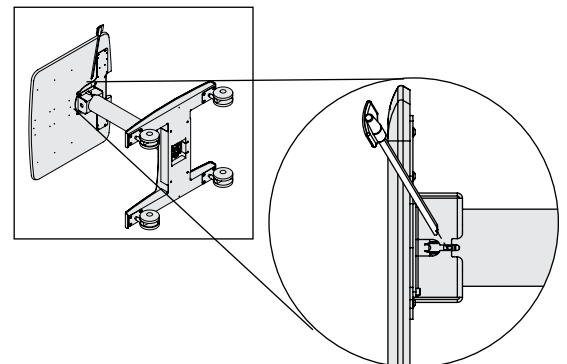
- Align the base with the column so that the threaded stems on the bottom of the column align with the holes on the base and the long feet of the base are above the front of the shelf.
- Attach the base to the column with four nuts (metal side first) using the 3-way wrench or your 7/16" socket, nut driver, or wrench.



## STEP 4

### Insert the lever

- Rotate the cart to its side so that the lever opening at the top of the column is facing up.
- Align the lever with the column so that the notch in the lever faces the base of the cart. When installed the notch goes over the button at the center of the column that activates the height-adjustment cylinder. Angle the lever up into the opening and shove it into place.
- Lock the casters and rotate the cart right side up.



Top-down view

**CONGRATULATIONS! YOUR CT CART ASSEMBLY IS COMPLETE!**



Anthro Corporation® | 10450 SW Manhasset Dr. | Tualatin, OR 97062  
Toll-free: 800.325.3841 | Fax: 800.325.0045 | email: sales@anthro.com | anthro.com  
Outside the U.S. | Tel: 503.691.2556 | Fax: 503.691.2409



**Warranty:**

The CT Cart has a Lifetime Warranty against manufacturing defects; the column has a 2-year warranty against manufacturing defects.

**Notices:**

Technology Furniture is a trademark of Anthro Corporation. Anthro reserves the right to modify the design and specifications without prior notice.