

# ASSEMBLY INSTRUCTIONS

## POC Cart - 2



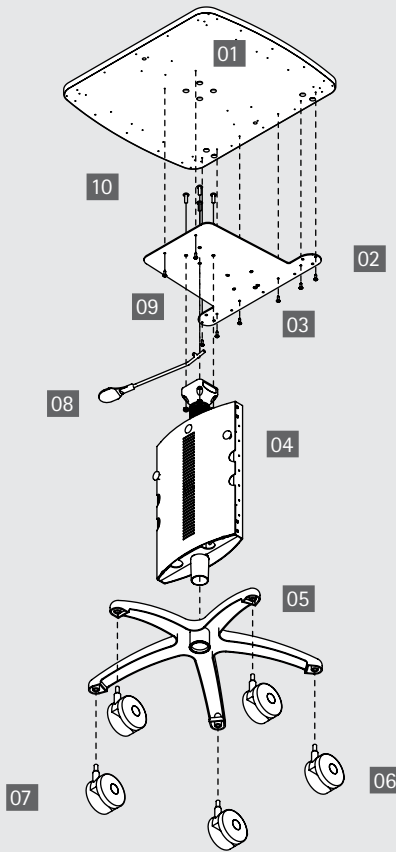
Product	Part#
POC Cart-2 Light Load	POCDzz/xx4
POC Cart-2 Heavy Load	POCEzz/xx4

NOTE: Shown with optional accessories, sold separately.



Anthro Corporation® | 10450 SW Manhasset Dr. | Tualatin, OR 97062  
Toll-free: 800.325.3841 | Fax: 800.325.0045 | email: sales@anthro.com | anthro.com  
Outside the U.S. | Tel: 503.691.2556 | Fax: 503.691.2409

March 2012



## WELCOME

Thank you for purchasing Anthro's POC Cart-2. If you have any questions or if we can help you in any way, please contact us at 800.325.3841.

## TOOLS

These tools are provided for assembly of your POC Cart-2:

- 5/32" Anthro hex driver
- 5/32" hex driver bit
- 3/16" hex key

## PARTS LIST

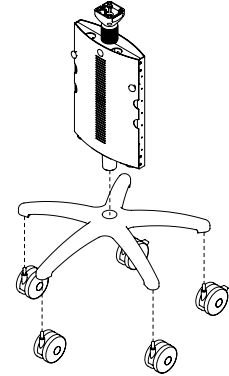
Before beginning assembly of your cart, please review the parts list to verify that your shipment is complete.

Product	Quantity	Part Number
01 Shelf	1	100-6669-00
02 Shelf Bracket	2	225-4600-00
03 3/4" Wood Screw	8	325-5575-00
04 Column Assembly	1	
Light-load		835-5548-00
Heavy-load		835-5552-00
05 Base	1	250-5027-03
06 Caster, locking	2	150-5011-03
07 Caster, non-locking	3	150-5010-03
08 Lever	1	835-5551-00
09 Lock Nut	4	325-5263-00
10 1" Button-head Cap Screw	4	325-5537-00

## STEP 1

### Assemble Cart Base and Column

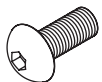
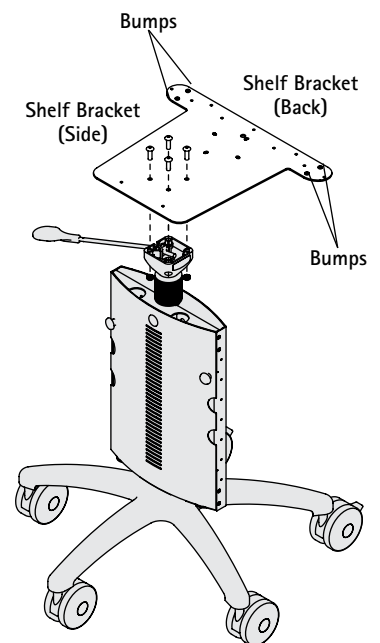
- Insert the casters into the base so that the two locking casters (with tabs) are next to each other.
- Place the base on the floor and lock the two locking casters. Align the column with the base as shown. Push the column into the base.



## STEP 2

### Install the Adjustment Lever and Shelf Bracket

- Align the lever with the top of the column as shown so the lever sets in the slot and bends away from the locking casters.
- Set the lever into the top of the column, then cover it with the Shelf Bracket. Align the bracket with the column so the bumps are on the top, so the square hole pattern on the bracket lines up with the holes on the top of the column, and so the lever extends out from the side of the bracket.
- Using the 3/16" hex key, attach the bracket to the column with four 1" Button-head Screws (325-5537-00) captured by four Lock Nuts (325-5263-00) inserted through the bottom of the column block.



1" Button-head Screw  
325-5537-00

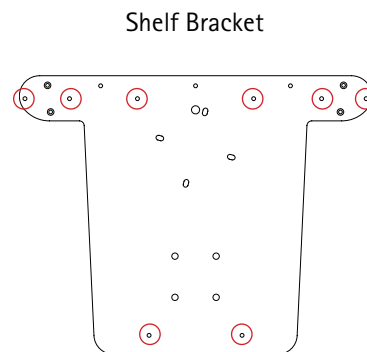


Lock Nut  
325-5263-00

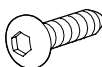
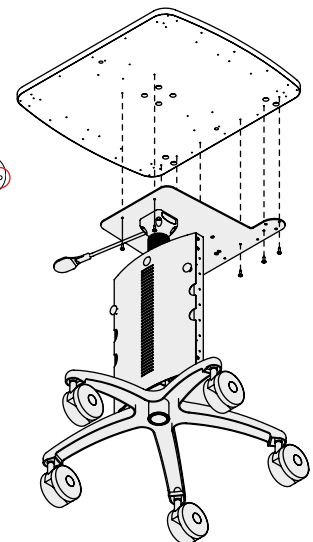
## STEP 3

### Attach Shelf to Shelf Bracket

- Align the cart shelf with the shelf bracket so the center array of four notches in the shelf line up over the four screw-heads on the bracket and the two pairs of notches on the edge of the shelf line up over the bumps on the bracket.
- Using the Anthro driver, attach the shelf to the bracket with eight 3/4" Wood Screws (325-5575-00).



○ Wood Screw holes



3/4" (#10-9) Wood Screw  
325-5575-00

**CONGRATULATIONS! YOUR CART ASSEMBLY IS COMPLETE!**



Anthro Corporation® | 10450 SW Manhasset Dr. | Tualatin, OR 97062  
Toll-free: 800.325.3841 | Fax: 800.325.0045 | email: sales@anthro.com | anthro.com  
Outside the U.S. | Tel: 503.691.2556 | Fax: 503.691.2409



300-5568-00

**Warranty:**

The POC Cart-2 has a Lifetime Warranty against manufacturing defects; 5-year warranty on the cylinder.

**Notices:**

Technology Furniture is a trademark of Anthro Corporation. Anthro reserves the right to modify the design and specifications without prior notice.