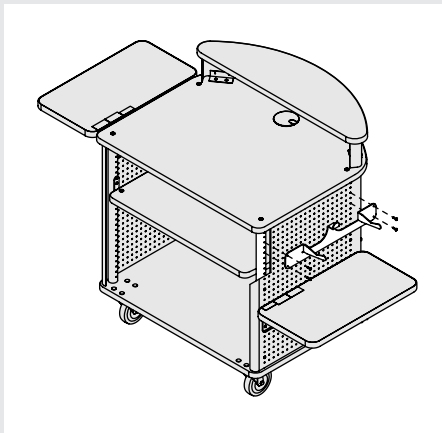


## ASSEMBLY INSTRUCTIONS

# ShopAbout™ Original & Tall Bag Holders

## HELLO!

Thank you for purchasing ShopAbout™! Here are the instructions for repositioning the Dual-arm Bag Holder and installing the Patch Handle Bag Holder. If you have any questions, please give us a call!



### REPOSITION THE DUAL-ARM BAG HOLDER

- Using the 5/32" hex driver, remove the four fasteners attaching the Dual-arm Holder to the side panel.
- Remove the holder and align it in its new position with the hole array on the side of the cart.
- Reinstall using the same fasteners.

### INSTALL THE PATCH HANDLE BAG HOLDER

- Using the 5/32" hex driver, remove the four fasteners attaching the Dual-arm Bag Holder to the side panel.
- Remove the Dual-arm Bag Holder.
- Align the Patch Handle Bag Holder with the hole array on the side of the cart.
- Using the 5/32" hex Anthro driver, install using the same fasteners.

Part Numbers: CWNB4832SM/BF5, CWPB4832SM/BF5, CWBT4832SM/BF5

#### Warranty:

The Shop About has a Lifetime Warranty. The electrical has a one year Warranty. The power cord is not covered under Warranty.



300-5504-00

#### Notices:

Technology Furniture and Shop About are trademarks of Anthro Corporation. Anthro reserves the right to modify the design and specifications without prior notice.



Anthro Corporation® | 10450 SW Manhasset Dr. | Tualatin, OR 97062  
Toll-free: 800.325.3841 | Fax: 800.325.0045 | email: sales@anthro.com | anthro.com  
Outside the U.S. | Tel: 503.691.2556 | Fax: 503.691.2409

March 2010